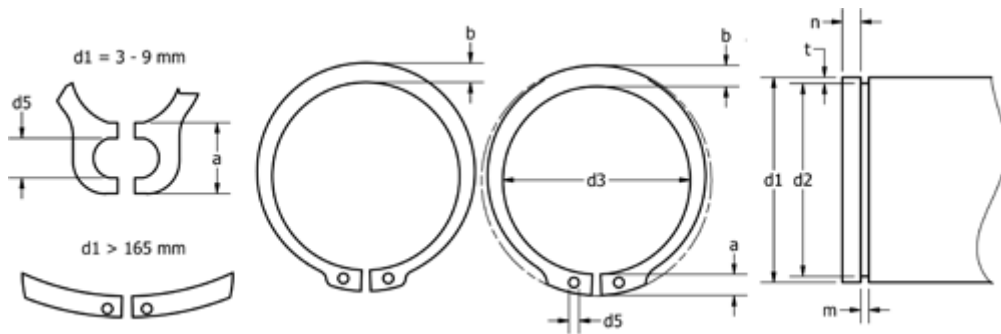


Article number: 0101015
 Description: Retaining ring A 5 DIN 471
 Spring steel
 Note: Fitted with ZGA pilers

Measures



| | | | | | |
|--------------------|-------|---------------|---------|----------------|--------------|
| a max | = 2.5 | FN kN | = 0.2 | s | = 0.60 |
| AN mm ² | = 1.5 | FRg kN | = 0.80 | t | = 0.10 |
| b | = 1.1 | FR kN | = 1.00 | tol | = -0.04 |
| d1 | = 5 | g | = 0.5 | tol | = -0.05 |
| d2 | = 4.8 | K kN-mm | = 7.38 | tol | = +0,04-0,15 |
| d3 | = 4.7 | m min | = 0.70 | Tong | = ZGA-0 |
| d5 min | = 1.0 | n abl x 1000 | = 154.0 | Weight kg/1000 | = 0.066 |
| Description | = A5 | Nominal drive | = 0.3 | | |